

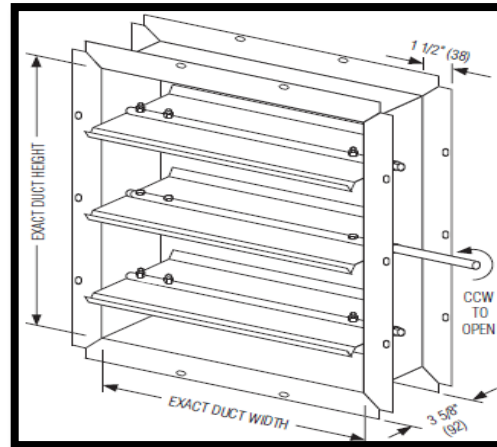
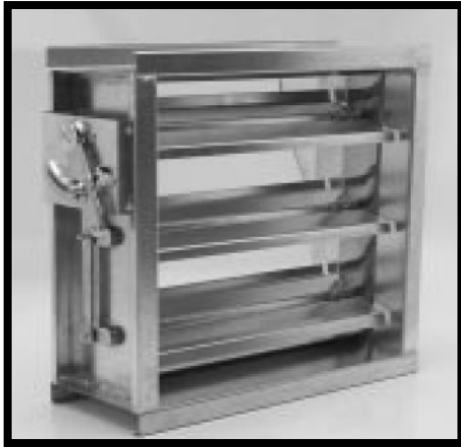


MACS

AL MUTHATHAWERAH A/C SYSTEMS ACCESSORIES IND. CENTER L.L.C.

VCD FLANGE TYPE

MACS-GVF-W X H



Standard Construction

FRAME	0.7mm thickness for width<300mm, 1.00mm thickness for width>300mm galvanized steel formed channel for flange connections.
BLADES	3V 0.90mm thick BLADES
FINISH	Mill galvanized
LINKAGE	Side linkage concealed in frame for parallel and opposed blade operation.
CASE BEARINGS	PVC or Brass Bearing as required.
AXLES	10mm X 10mm Zinc plated mild steel.
TEMP. LIMITS	-40°C to 100°C

Minimum Size:

100 X 100 mm, dampers up to 250mm in height are single blade construction.

Maximum Size:

1200 X 1800 mm, as single section. Multiple Section assembly with unlimited size, where each section operates independently.

For details of multiple sections consult MACS.

Options:

Frame, Blades, shafts and blade to shaft fixing: available in Stainless steel.

Linkage: Face Linkage available.

Case Bearings: Sintered Bronze available.

Operation: Parallel Blades, Opposed Blades. Manual, or with Actuator.

www.macsuae.com

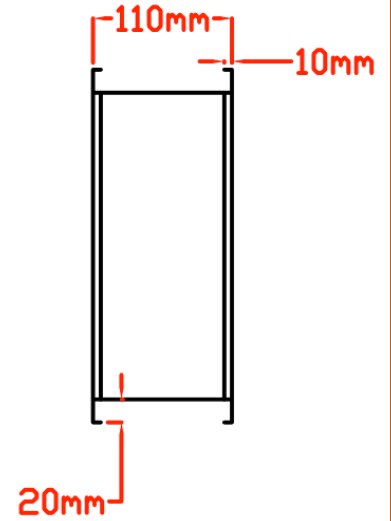
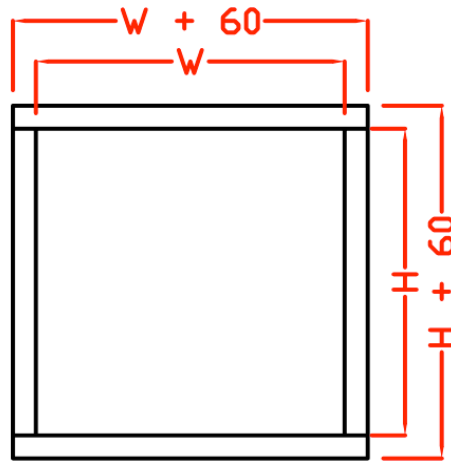
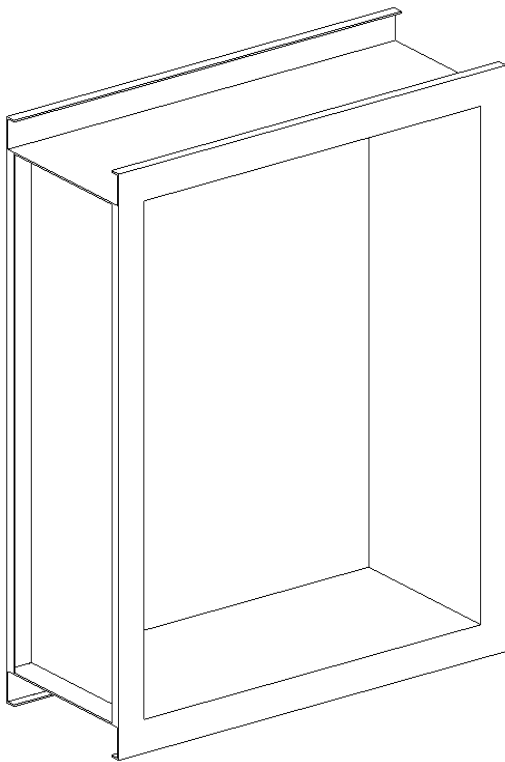
Email: info@macsuae.com Tel: +971 6 5351750, Fax: +971 6 5351740, P.O. Box: 81615

Address: Industrial Area - 15, Sharjah - U.A.E



MACS

AL MUTHATHAWERAH A/C SYSTEMS ACCESSORIES IND. CENTER L.L.C.



Standard Sizes		
Width mm	Height mm	Blades Number
100	100	1
150	150	
200	200	
250	250	
300	300	
350	350	2
400	400	
450	450	
500	500	3
550	600	
600	700	4
650	800	5
700	900	

Standard Sizes		
Width mm	Height mm	Blades Number
750	1000	6
800	1100	7
850	1200	
900	1300	8
950	1400	9
100	1500	
1050	1600	10
110	1700	11
1200	1800	12